

SPECIFICATIONS:

CONSTRUCTION: 16 Ga. welded, zinc coated, steel cabinet, finished with a Powder-Coat finish. Includes removable panels for access to filters, lifting angles on top of unit, and a spark resistant, direct drive B.I. blower in an acoustic lined blower compartment. Motor starters/disconnects NOT included.

WEIGHT: 520 lbs.

AIRFLOW: 5000 CFM
 (STD AIR) 4500 CFM W/HEPA or V-Bank

NOISE: 77dBA

ELECTRICAL: 3HP 208-230/460/3/60, 7.8-7.2/4 amps, std.
 3HP 230/1/60, 11.7 amps, opt.

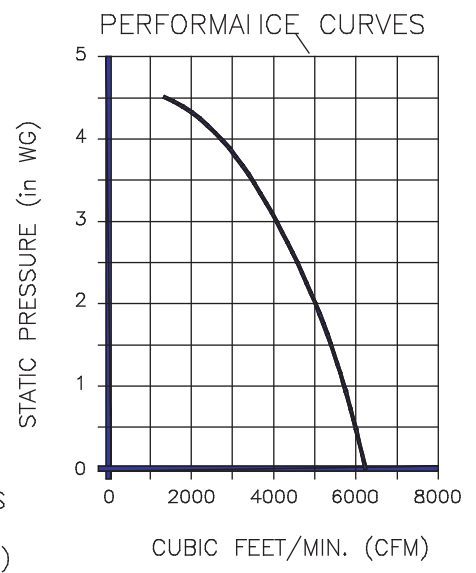
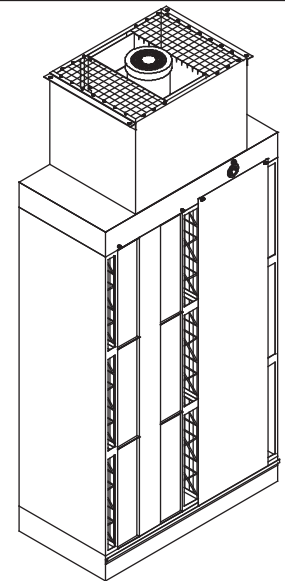
FIRE SUPPRESSION: Equipment provided by others.

PREFILTERS: (2) 24 x 72 x 2 Poly, opt.

MAIN FILTERS: (12) 24 x 24 x 6 MERV 11, 42 ft.² each, std.
 (36) 24 x 24 x 2 MERV 11, opt.
 (12) 2" MERV 11 and (12) 4" 30% pleat, opt.
 (12) 2" MERV 11 and (12) 4" MERV 14, washable synthetic, opt.

AD OPTION: (12) 2" MERV 11 and (12) 3" 30 lb. AD modules, refillable
 (12) 2" MERV 11 and (12) 2" charcoal/poly pads (replaceable) w/(12) 2" poly after-filters

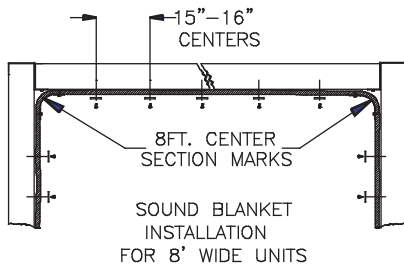
OTHER OPTIONS: Pressure gauge kit indicates filter changes.
 Side shields



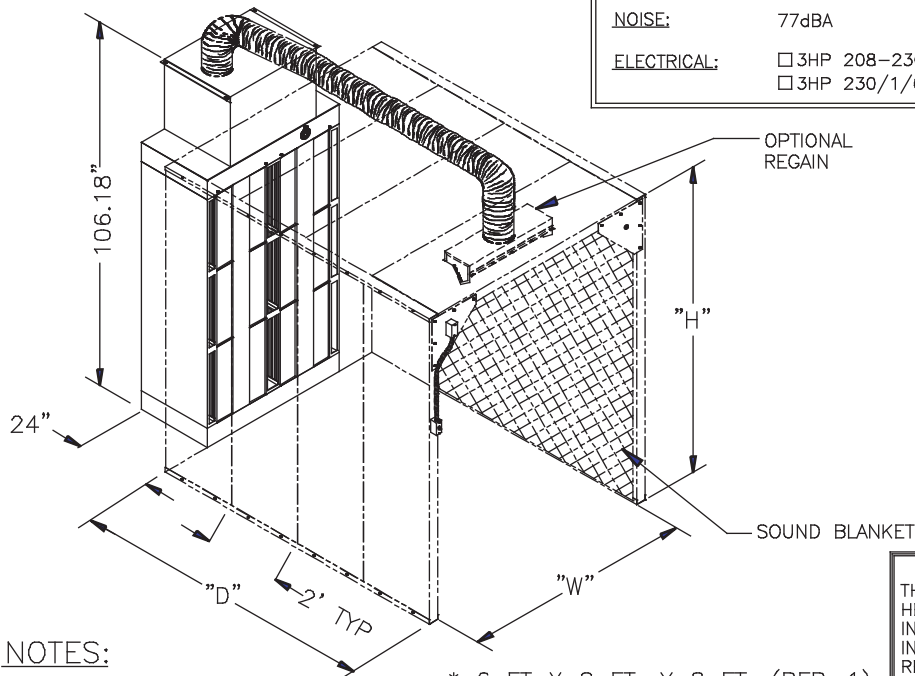
THE DEVICE DEPICTED AND DESCRIBED HEREON EMBODIES PROPRIETARY INFORMATION OWNED BY AIRFLOW SYSTEMS, INC. ALL DESIGN, MANUFACTURING, REPRODUCTION, SALES, AND PATENT RIGHTS REGARDING THIS DEVICE OR DRAWING ARE RESERVED EXCEPT WHERE EXPLICIT RIGHT IS GRANTED IN WRITING.

Airflow SYSTEMS INC. 11221 Pagemill Road
 Dallas, Tx 75243-8314
 (214) 503-8008
 Fax (214) 503-9596
 E-MAIL: info@airflowsystems.com

DRAWN BY CB	TITLE PANEL FILTER POWER BOOTH
DATE 5-7-08	
SCALE NTS	DRAWING NO.: PFPBSPEC (79-4462/A)



(PANEL FILTER BOOTH SHOWN LESS FILTER COVER PLATES)



NOTES:

* 6 FT X 8 FT. X 8 FT. (PFB-1) BOOTH SHOWN

SPECIFICATIONS:

CONSTRUCTION: PANEL FILTER BOOTH: 16 Ga. welded zinc coated steel cabinet, finished with Powder-Coat finish. Includes a removable access panel to motor and direct drive, ball bearing, B.I. blower, and an acoustic lined inlet plenum and blower compartment. Motor wired to junction box outside unit. Motor starters/disconnects NOT included.

ROOF AND SIDE PANELS (Each): 16 Ga. galvanized steel, 8 feet high, 2 feet wide, and 3 inches deep, with a roof loading of 200 pounds.

WEIGHT: Panel Filter Booth - 520 lbs.; Panels - 6' = 40 lbs.; 8' = 53.3 lbs.; 12' = 80 lbs.; 16' = 106.56 lbs.

AIRFLOW: 5000 CFM per module
4500 CFM W/HEPA or AD modules

SOUND CONTROL: Double insulated sound panels with 3" dead air space behind for maximum acoustical control in work area.

LIGHT: Minimum of (2) 80 watt, dust-tight, fluorescent lights.

NOISE: 77dBA

ELECTRICAL: 3HP 208-230/460/3/60, 7.8-7.2/4 amps, std.
 3HP 230/1/60, 11.7 amps, opt.

PREFILTERS: (2) 24 x 72 x 2 Poly (OPTIONAL)

MAIN FILTERS: (12) 24 x 24 x 6 MERV 11, 42² ft. each, std.
 (36) 24 x 24 x 2 MERV 11, opt.

HEPA OPTION: (12) 2" MERV 11 and (12) 4" 99.97% Mini-pleat HEPAs

DOP OPTION: (12) 2" MERV 11 and (12) 4" 95% Mini-pleat DOPs

AD OPTION: (12) 2" MERV 11 and (12) 3" 30 lb. AD modules, refillable

OTHER OPTIONS: Pressure gauge kit indicates filter changes.
 Silencer
 Regain

FIRE SUPPRESSION: Equipment provided by others.

UNIT	W	D	H	QTY OF TOP PANELS	QTY OF PANEL FILTER BOOTHS
PFB-1	6'	8'	8'	(4) 6' LONG	1
PFB-2	8'	8'	8'	(4) 8' LONG	2
PFB-3	12'	8'	8'	(8) 6' LONG	3
PFB-4	16'	8'	8'	(8) 8' LONG	4

THE DEVICE DEPICTED AND DESCRIBED HEREON EMBODIES PROPRIETARY INFORMATION OWNED BY AIRFLOW SYSTEMS, INC. ALL DESIGN, MANUFACTURING, REPRODUCTION, SALES, AND PATENT RIGHTS REGARDING THIS DEVICE OR DRAWING ARE RESERVED EXCEPT WHERE EXPLICIT RIGHT IS GRANTED IN WRITING.

Airflow 11221 Pagemill Road
SYSTEMS INC. Dallas, Tx 75243-8314
 (214) 503-8008
 Fax (214) 503-9596
 E-MAIL: info@airflowsystems.com

DRAWN BY CB	TITLE PANEL FILTER DUST CONTROL BOOTH
DATE 5-4-07	
SCALE NTS	DRAWING NO.: PFDCBSPC (79-4356/A)