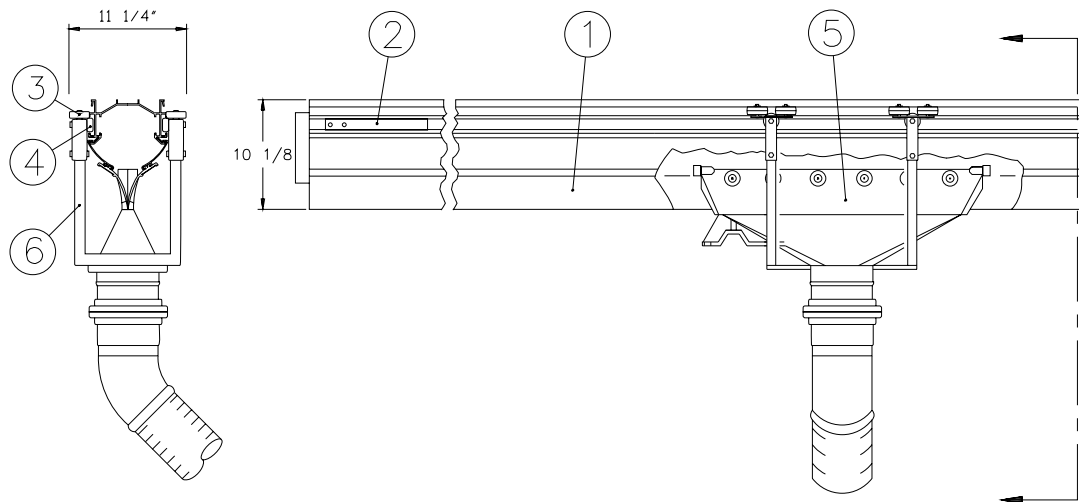


# Spare Parts

## Fume Extraction Rail - with Extractor Arm



Rail Weight: 5.5 lbs/ft

Detail	Part No.	Description
NS	20906215	Rail 8 ft.
NS	20906315	Rail 16 ft.
NS	20906415	Rail 24 ft.
NS	20906515	Rail 33 ft.
NS	20906615	Rail 41 ft.
NS	20906715	Rail 49 ft.
NS	20906815	Rail 57 ft.
NS	20906915	Rail 66 ft.
NS	20907015	Rail 74 ft.
NS	20907115	Rail 82 ft.
NS	20907215	Rail 90 ft.
NS	20907315	Rail 98 ft.
NS	20321583	Suction Trolley
NS	20321436	Connection Hood
NS	20343508	Suspension Attachments
1	321438.MR	Rail Rubber Seal, per foot
2	342736	Rail, Rubber End Stop, Pair
3	344051	Guide Wheel, Set
4	343396	Rail Teflon Foil, Pair
5	363026	Rail Teflon Foil, Pair
6	343461	Wheel Bracket